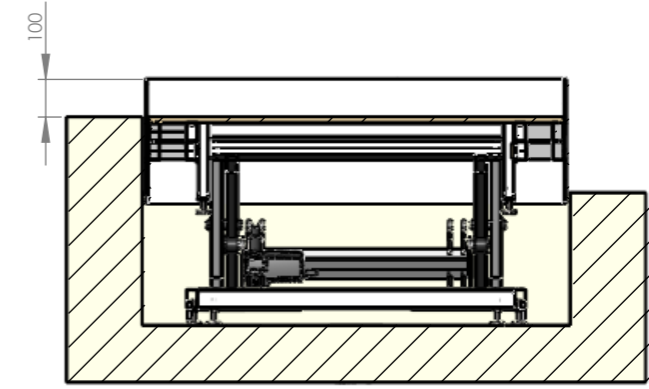


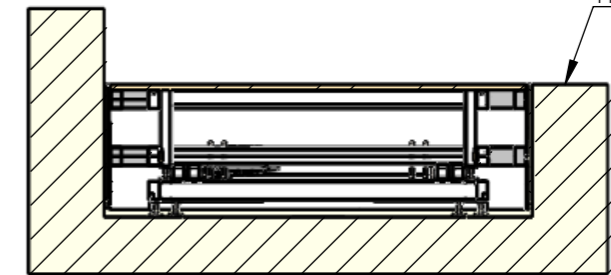
Allowed  
Positive draft allowed

Not Allowed  
Negative draft

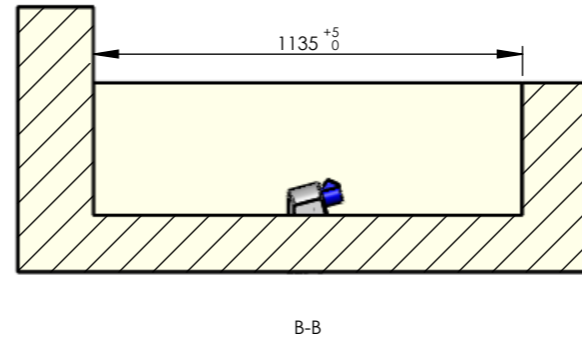
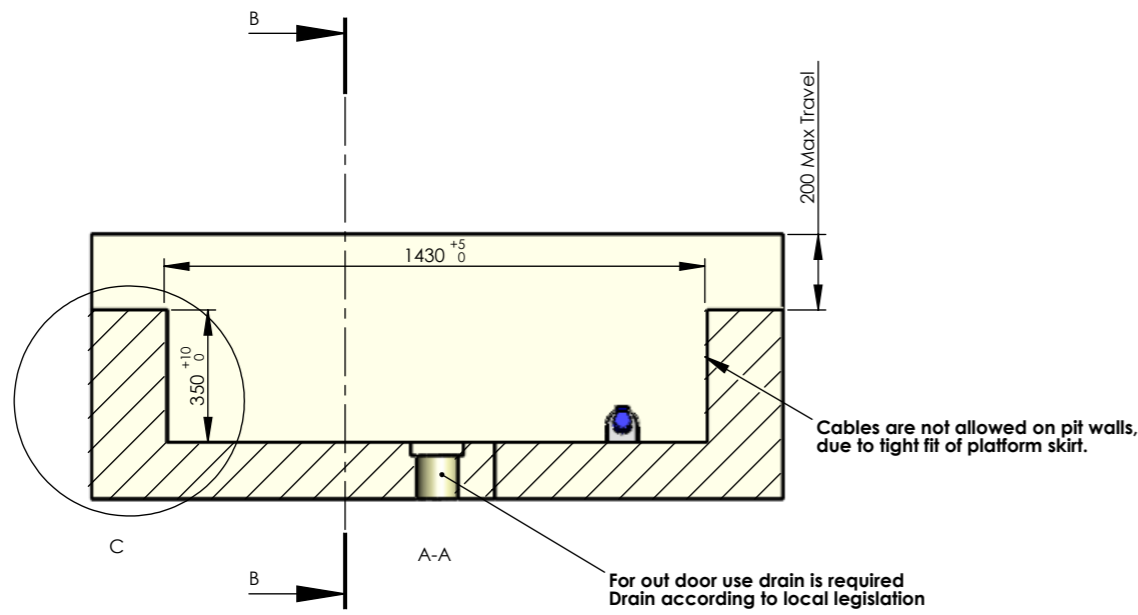
Platform in Top Position



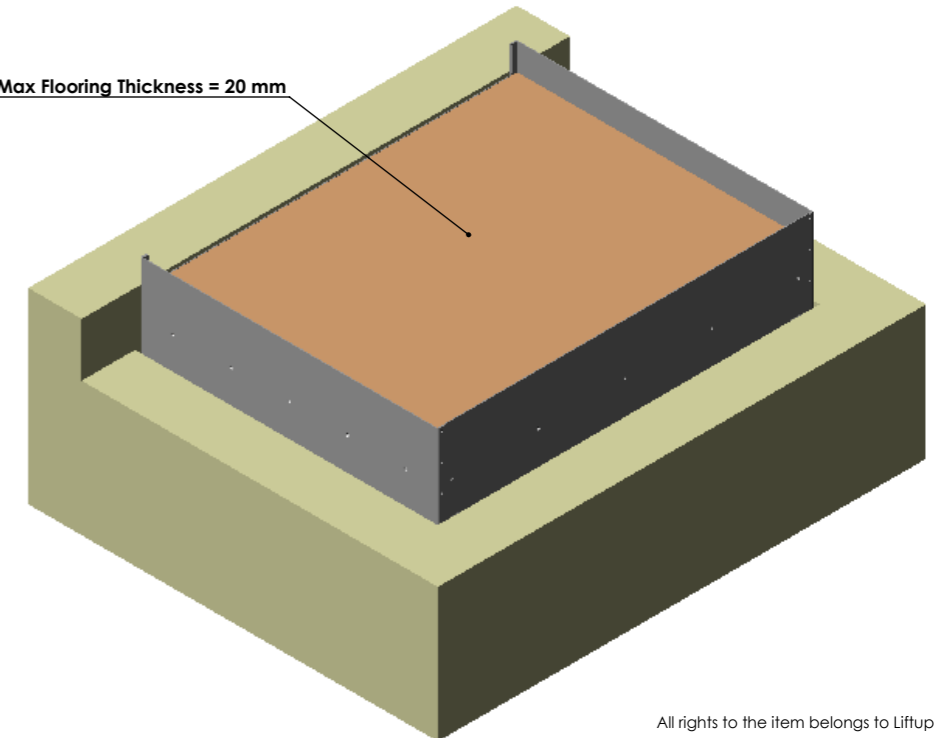
Platform in Low Position



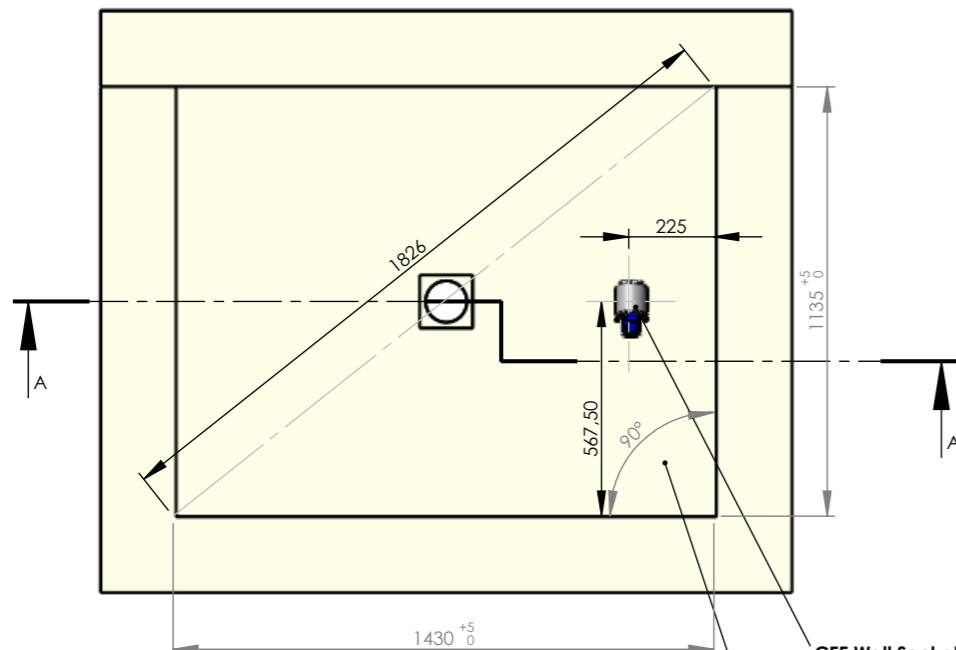
Platform is flush with Ground Level



Max Flooring Thickness = 20 mm



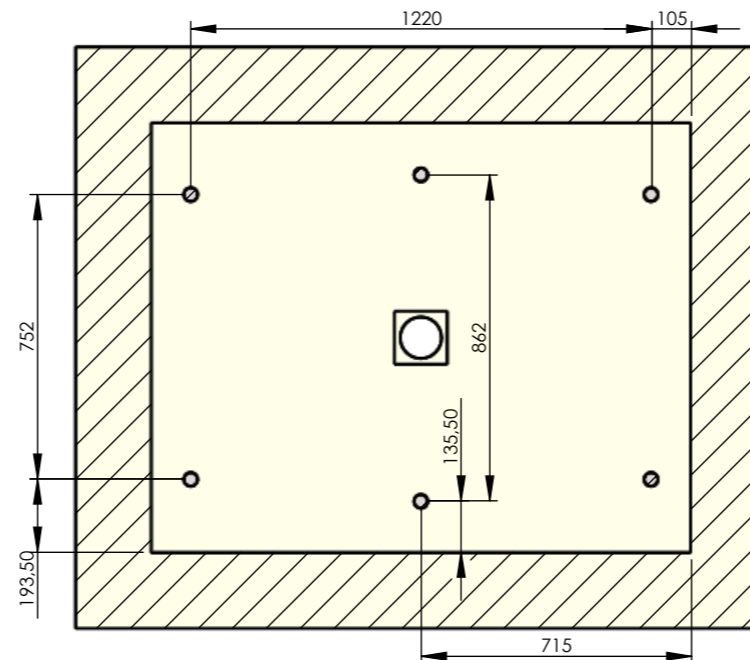
All rights to the item belongs to Liftup



CEE Wall Socket IP44 (Part no. 102126)  
16 Ampere 3 Pole  
Power connection 230 VAC 10 A  
Position and type is important due to moving parts

All 4 corners

Platform support points



Rev.	Revision description.	HDN 1100x1400: Long Side Exit, Travel < 200 mm		LIFTUP	
G	-	Created date:	Last change date:	www.liftup.dk	
F	-		27-02-2013	Tlf.: 9686 3020	
E	-	Materiale:	Tolerancer:	Sheet size	Item Number:
D	-			A3	101525
C	-	Finish:	Weight:	Scale:	Version:
B	-			1:20	B